

## 3" Aluminum Swing Check Valve

Civacon Check Valves offer more air flow, less heat build up. Lightweight, durable and built for reliability

### More Air Flow

A high-flow valve means less pressure drop and faster unloading time.

### Less Heat Build Up

Due to the spherical design of the Civacon 3" Aluminum Swing Check Valve less turbulence is created in the air stream, reducing back pressure, providing a smoother air flow with less heat build up and wear and tear on the blower.

### Molded Silicone Poppet Seals

Designed to withstand high-temperature dry bulk environments. Seal rated to 450°F.

### Easier to Rebuild and Service

Since the poppet and top lift out as a single unit, all serviceable parts are easily and efficiently accessible. Field maintenance is possible without removing the valve from the air line.

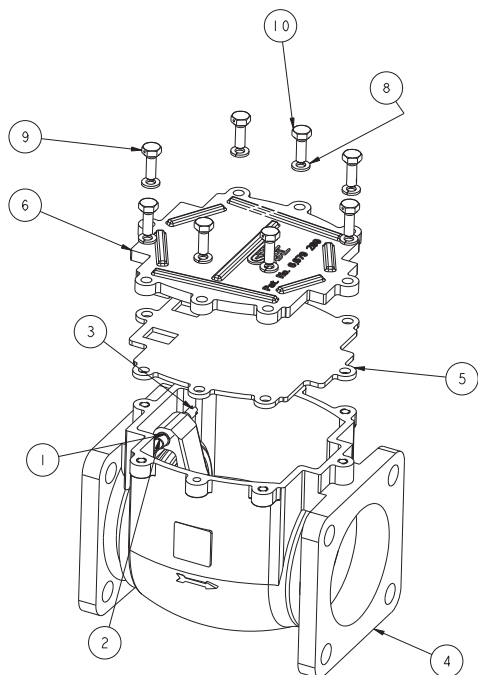


### Features & Benefits

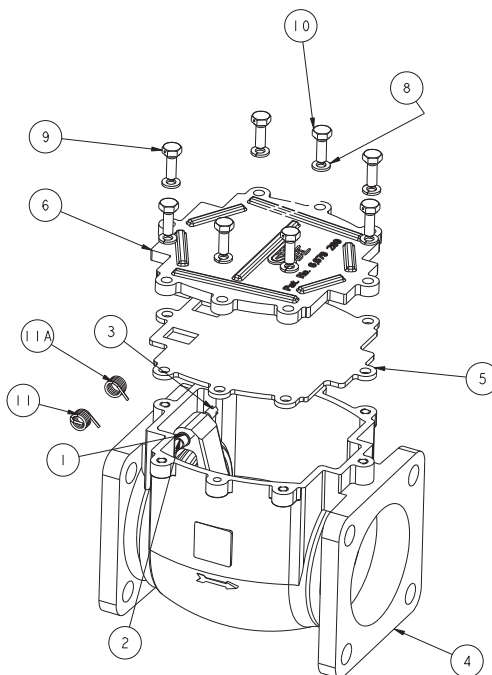
- **Optional Seal Tabs** - Ensures load integrity
- **Embossed Casting Area** - Provides an area to personalize each valve
- **Lightweight** - Lightweight aluminum, heavy-duty construction
- **Reliable** - Each valve is manufactured and tested within rigorous ISO 9001 standards and processes

# 3" Aluminum Swing Check Valve

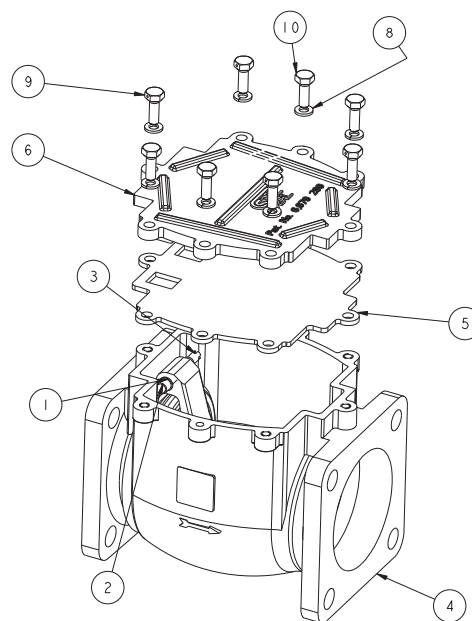
**VC3012**  
3" Aluminum Swing Check Valve



**VC3022**  
3" Aluminum Swing Check Valve



**VC3011FG**  
3" Aluminum Swing Check Valve



Item	Description	VC3012	VC3022	VC3011FG	Qty
1	TEFLON BUSHING	3-CV-BUSHING	3-CV-BUSHING	3-CV-BUSHING	2
2	.245" x 1.195" SS PIN RIGHT	3-CV-PIN-R	3-CV-PIN-R	3-CV-PIN-R	1
3	.245" x 1.195" SS PIN LEFT	3-CV-PIN-L	3-CV-PIN-L	3-CV-PIN-L	1
4	ALUMINUM BODY	3-CV-A-BODY	3-CV-A-BODY	3-CV-A-BODY	1
5	LID GASKET	3-CV-A-GASKET	3-CV-A-GASKET	3-CV-A-GASKET	1
6	ALUMINUM LID	3-CV-A-LID	3-CV-A-LID	3-CV-A-LID	1
7	POPPET ARM ASSY.	3-CV-A-POPPET-S	3-CV-A-POPPET-S	3-CV-A-POPPET-MOD	1
8	1/4" WASHER	H20312M	H20312M	H20312M	8
9	1/4" 18-8 SS LOCK WASH	H50086M	H50086M	H50086M	8
10	1/4-20 x 7/8" SS SCREW	12419	12419	12419	8
11	17-7 SPRING LEFT		3-CV-SPG-L		1
11A	17-7 SPRING RIGHT		3-CV-SPG-R		1

## Ordering Specifications

Part Number	Description
VC3012	3" Aluminum Swing Check Valve, Silicone Poppet, White Neoprene Gasket W/O Spring
VC3022	3" Aluminum Swing Check Valve, Silicone Poppet, White Neoprene Gasket W/ Spring
VC3011FG	3" Aluminum Swing Check Valve, EPDM Poppet, White Neoprene Gasket W/O Spring

Repair Kits	
KIT-VC-312S	Repair Kit, Silicone Poppet
KIT-VC-311S	Repair Kit, EPDM Poppet